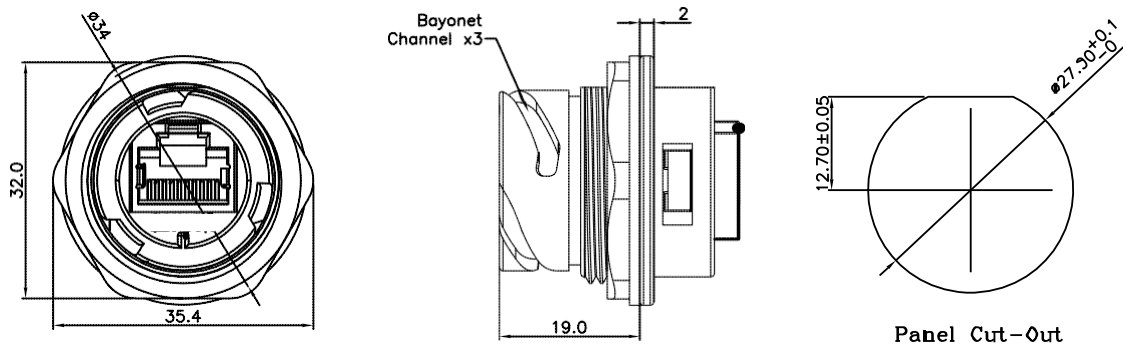
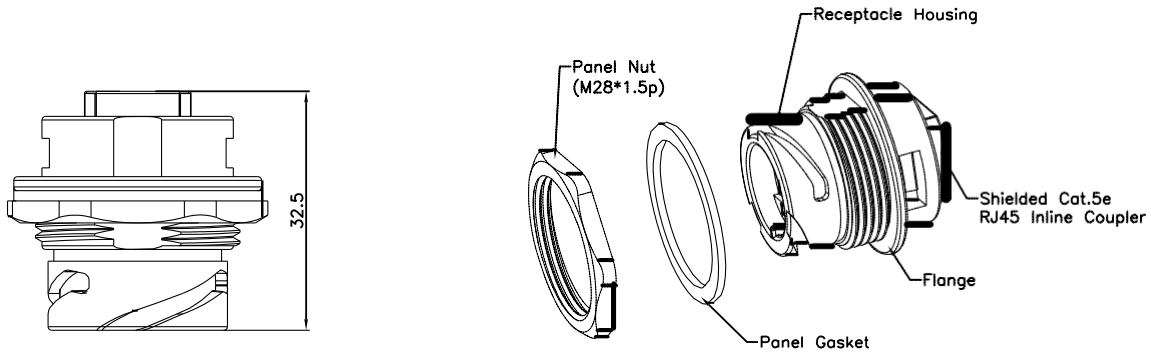


# Metal Waterproof Cat.5e Coupler Jack (IP68)



## Materials

- **Receptacle Housing** : Zn Alloy 3, Nickel Plated
- **Panel Nut** : Copper Alloy, Nickel Plated
- **Panel Gasket** : Silicone
- **RJ45 Jack Metal Shell** : Copper Alloy, Nickel
- **RJ45 Jack Plastic Housing** : Engineering Thermoplastic Flammability Rating UL94 V-0
- **RJ45 Jack Contact** : Phosphor Bronze finish : Gold over Nickel

Connector can be front mounted to a maximum panel thickness of 3.2mm.



**Ordering Information      3353D00040**